



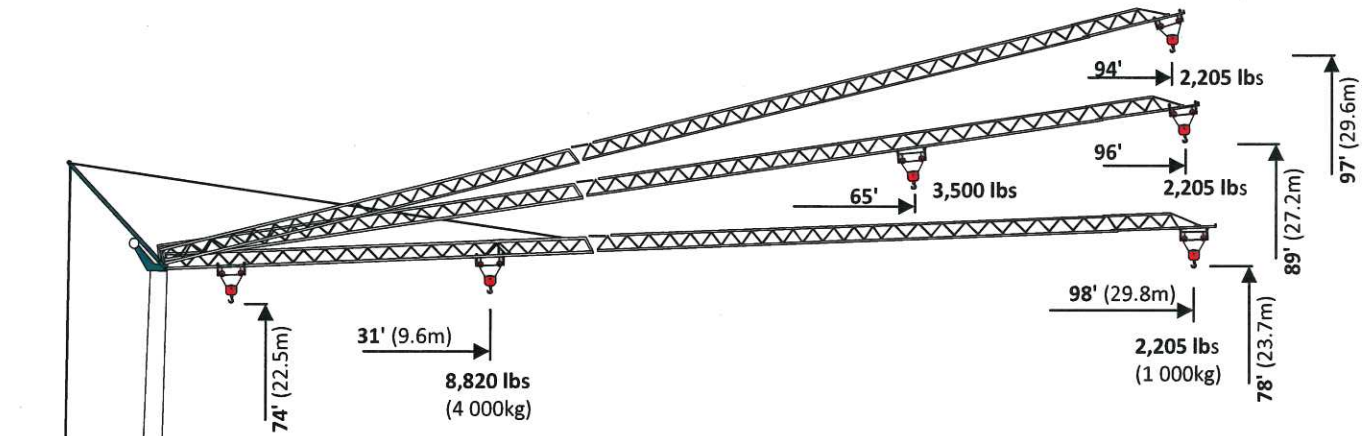
Corporate Office
 209 East Cedar • Bozeman, Montana 59715
 Phone: (406) 586-0909 • 1-800-406-LIFT • Fax: (406) 586-3836
 Email: info@montanacraneservice.com



Self-Erecting Crane

V 2298/78

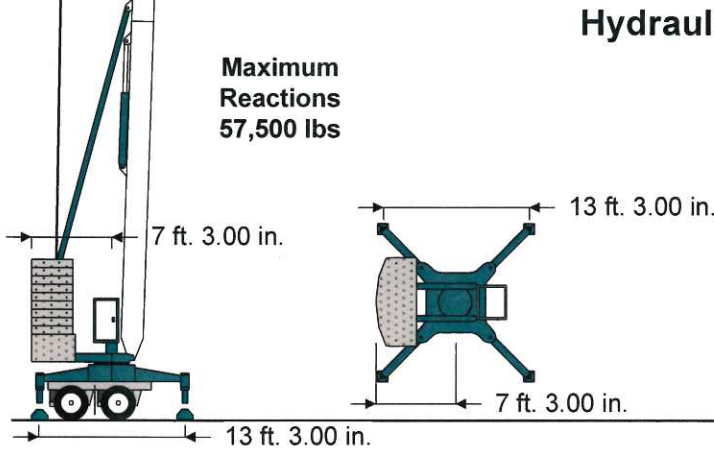
(2,205 lbs, 98'/78')



Power Requirements
 Single Phase or Three Phase
 240V or 460V

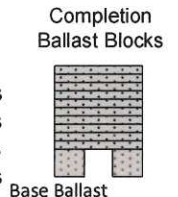
Hydraulic Outriggers

Maximum Reactions
 57,500 lbs



Component Weights

Base Ballast 5,735 lbs X 2 = 11,470 lbs
 C Ballast Blocks 2,867 lbs X 10 = 28,670 lbs
 Total Ballast: = 40,140 lbs
 Crane Weight: = 29,000 lbs
 Total Erected Weight: = 69,140 lbs
 Axles = 4,100 lbs



Hook	Ft.	31	33	39	46	52	59	66	72	79	85	92	98
Radius	Meters	9.4	10	12	14	16	18	20	22	24	26	28	29.8
2 Part	Lbs	8,820	8,196	6,565	5,450	4,650	4,040	3,565	3,180	2,865	2,600	2,375	2,205
Block	KG	4.000	3.717	2.977	2.472	2.109	1.832	1.617	1.442	1.299	1.179	1.077	1.000