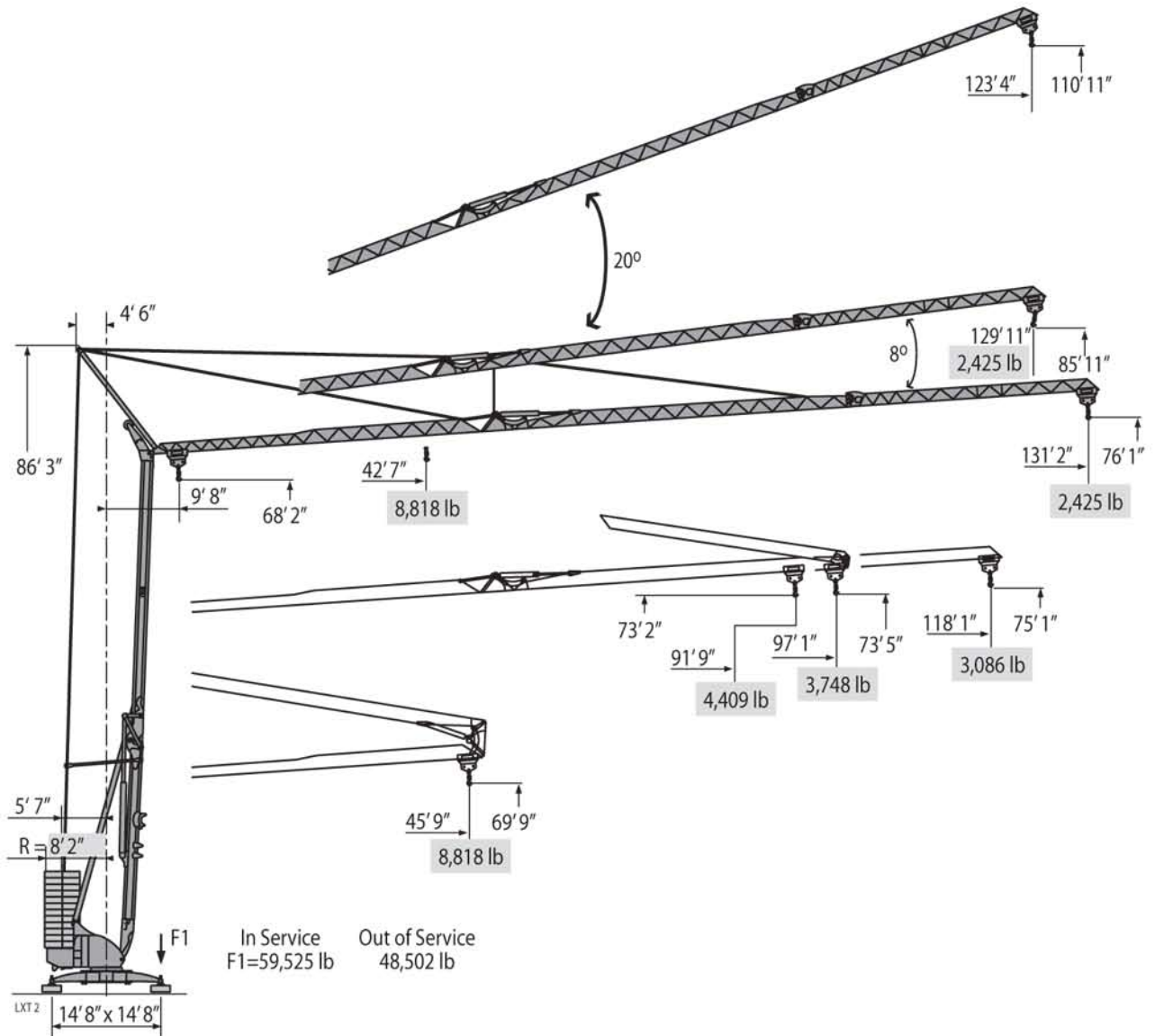




Corporate Office
 209 East Cedar • Bozeman, Montana 59715
 Phone: (406) 586-0909 • 1-800-406-LIFT • Fax: (406) 586-3836
 Email: info@montanacrane.com

POTAIN

Igo 50



Unit Weight: 32,792 lb.

Igo 50

THIS CHART IS ONLY A GUIDE AND SHOULD NOT BE USED TO OPERATE THE CRANE. The individual crane's load chart, operating instructions and other instructional plates must be read and understood prior to operating the crane.